

INTRODUCING THE **ChemScan® mini ChlorAm** **CHLORAMINATION ANALYZER**

The new mini ChlorAm Analyzer monitors multiple parameters in the Chloramination process; **Free Ammonia, Monochloramine and Total Ammonia while calculating the Cl₂:N ratio.**

The analyzer utilizes 15 years of ChemScan Chloramination experience and proven technology. Unlike other analyzers, discharge is non-toxic and no mandatory service contract is required.

CAPABILITIES

- Automatic Analysis
- Continuous Output
- Multiple Data Communication Interface Options

APPLICATIONS

- Chloramination Process Monitoring and Control
- Potable Water, Distribution Boost and Blend

BENEFITS

- Price Competitive with other Chloramination Analyzers
- Assure Process Conformance
- Control Energy and Chemical Costs
- Avoid Taste and Odor Complaints
- Improve Process Performance



FEATURES

- Field Analysis Utilizing Proven Methods
- Low Maintenance
- Proven Sample Handling with Large I.D. Flow Paths
- Simple Field Adjustable Calibration
- Sample Blank to Eliminate Background Interference
- Automatic Cleaning
- Easy to Service with Intuitive Sample Flow
- Rapid Adjustable Cycle Time

**No Service Contract
Required**

**Non-toxic Discharge
Pre-Packaged Reagents**



ChemScan®
An  **In-Situ Brand**

"Monitoring a World of Water"

CCLYNCH
& ASSOCIATES
The Water Monitoring People

Phone: 1-800-333-2252

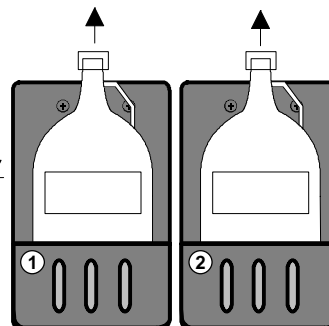
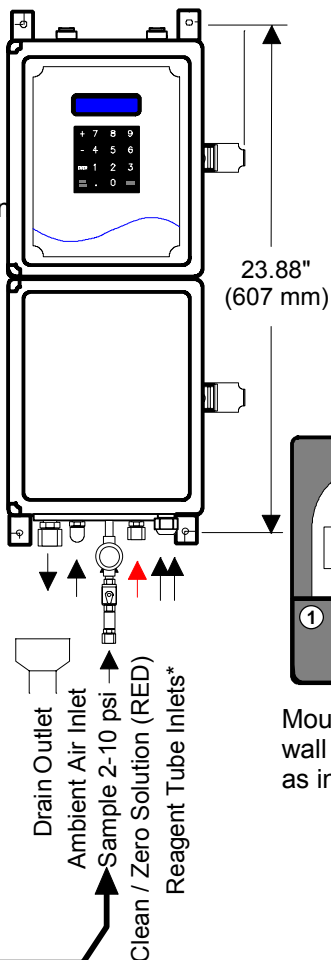
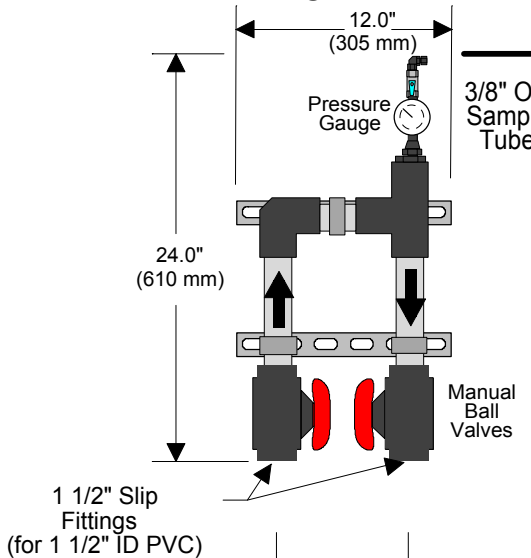
Fax: 228-452-2563

info@cclynch.com

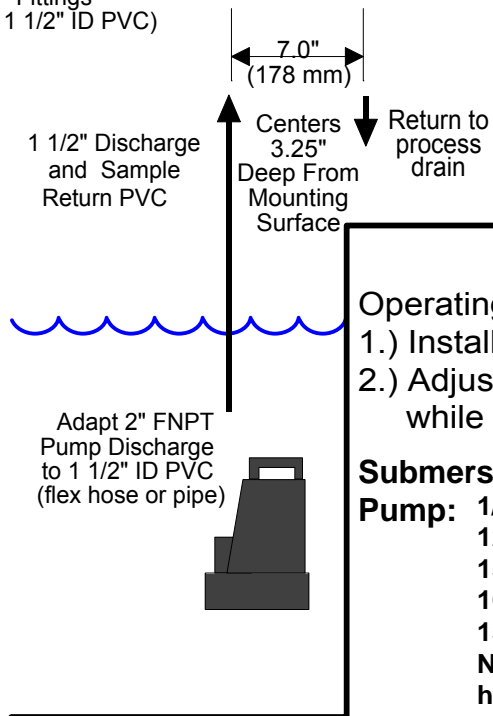
www.cclynch.com

66.00"
(1676 mm)
Mounting height
above floor level
for typical installation
- NOT TO SCALE-

**Sample Pressurization
Loop Accessory
FRONT VIEW**



Mount reagent container(s) to the wall surface adjacent to the analyzer as indicated on the installation diagram.



Operating Instruction:

- 1.) Install as shown per applicable codes.
- 2.) Adjust ball valves to provide 2-4 psi on gauge while maximizing flow through the assembly.

Submersible Pump:

1/4 HP
120 VAC (20 ft cord, 6 meters)
150 Watts
16 lbs (7.2 Kg), 9.5"Lx7"Wx15"H
15 feet max. TDH (no flow at 22 ft.)
NOTE: Select 1/2 HP Pump for heads from 15 feet to 30 feet.

ASA, Inc.	PHONE: 262-717-9500 FAX: 262-717-9530
Applied Spectrometry Associates, Inc. ©	
asaAnalytics.com Rev: 11/13/17	
ChemScan mini Analyzer Sample Extraction System	
FILE # CMPSPMJ3	

**ChemScan mini Analyzer
and Sample Extraction Accessory
(Sample Pump & Sample Loop)**